

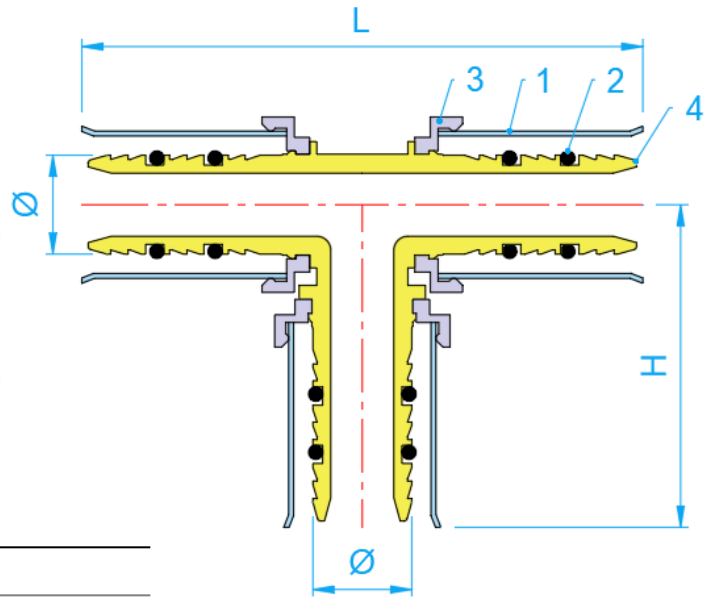
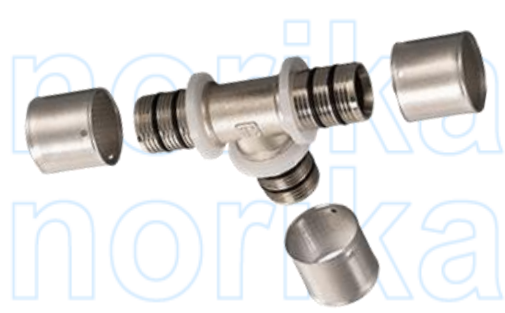
PEX PRESS-FIT FITTINGS (U PROFILE)



COMPLY WITH BS EN ISO 21003-1:2008
 BS EN ISO 21003-3:2008
 BS EN ISO 21003-5:2008
 BS EN 12165:2016
 AS/NZS 4020:2005
 SS 375:2015



F5 EQUAL TEE



SIDE VIEW

COMPONENT PARTS

ITEM	PARTS	MATERIAL
1	Sleeve	AISI304
2	O Ring	EPDM
3	Plastic Gasket	PE
4	Body	DZR Brass (Nickel Plated)

DIMENSIONS

SKU	SIZE (mm)	Ø (mm)	L (mm)	H (mm)	WEIGHT (kg)	PCS/CTN
PEXF5ET016	16	11.8	74	37.0	0.076	160
PEXF5ET020	20	15.8	80	40.0	0.100	112
PEXF5ET025	25	20.8	95	47.5	0.188	48
PEXF5ET032	32	25.8	101	50.5	0.272	32
PEXF5ET040	40	31.8	136	68.0	0.550	24
PEXF5ET050	50	40.8	145	72.5	0.811	18
PEXF5ET063	63	50.7	206	103.0	1.500	4
PEXF5ET075	75	59.6	216	108.0	2.167	4